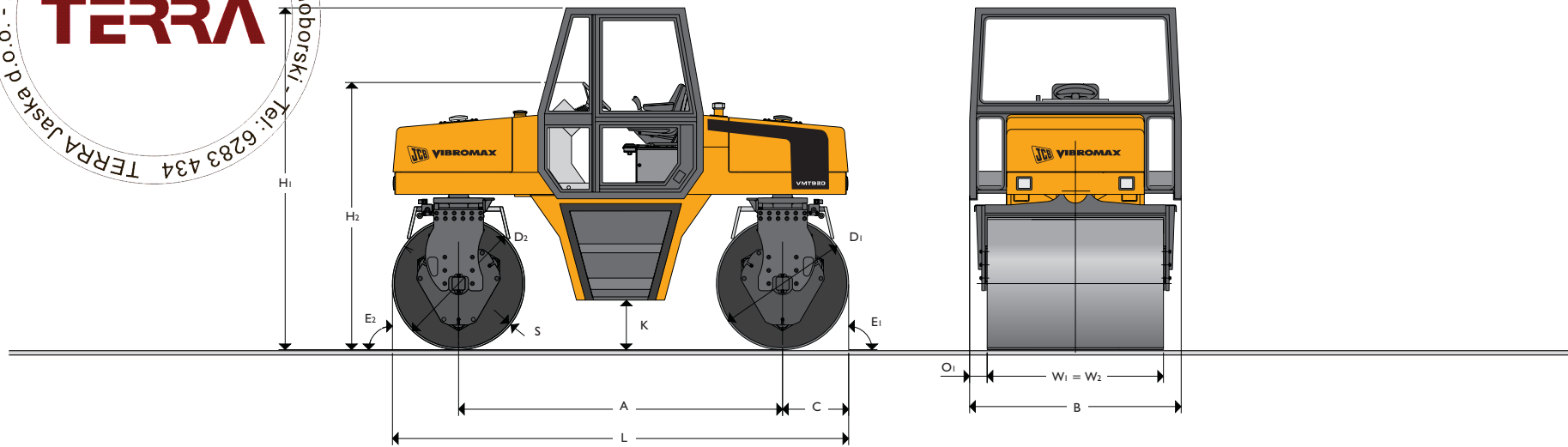




JCB VIBROMAX – COMPACTION EQUIPMENT TANDEM VIBRATORY ROLLER VMT920/VMT950S



MAX. DRUM WIDTH: 1600mm (63in)
MAX. OPERATING WEIGHT: 9050kg (19952lb) / 9150kg (20172lb)



STATIC DIMENSIONS

Dimensions in millimetres (in)		
A	Wheelbase	2940 (115.7)
B	Overall width	2070 (81.5)
C	Axle to rear face	600 (23.6)
D1=D2	Drum diameter	1200 (47.2)
H1	Total travel clearance	3100 (122)
H2	Height to top of seat	2420 (95.3)
K	Ground clearance	407 (18.5)
L	Total travel length	4140 (163)
O1	Overhang	235 (9.3)
S	Drum thickness	17.5 (0.7)
W1=W2	Drum width	1600 (63)
E1	Front departure angle	92°
E2	Rear departure angle	92°

OPERATING DATA

		VMT920		VMT950S	
Operating weight (CECE)	kg (lb)	9050 (19952)		9150 (20172)	
Operating weight (max.)	kg (lb)	9450 (20834)		9600 (21164)	
Operating axle load front /rear	kg (lb)	4525 (9975) / 4525 (9975)		4530 (9987) / 4620 (10185)	
Operating linear load front / rear	kg/cm (lb/in)	28.2 (158) / 28.2 (158)		28.3 (158) / 28.8 (161)	
Vibration stage		1	2	1	2
Exciter frequency	Hz	33.3	50	33.3	50
Nominal amplitude	mm (in)	0.81 (0.032)	0.32 (0.031)	0.65 (0.026)	0.26 (0.010)
Centrifugal force per drum	kN (lbf)	55 (12360)	49 (11012)	55 (12360)	49 (11012)
Centrifugal force / drum width	N/cm (lbf/in)	340 (194)	310 (177)	344 (196)	306 (175)
Compaction depth up to	cm (in)	80 (31.5)	80 (31.5)	80 (31.5)	80 (31.5)
Travel speed (forward/reverse) max.	km/h (mph)	0-10.5 (0-6.5)	0-10.5 (0-6.5)	0-10 (0-6.2)	0-10 (0-6.2)
Steering lock angle front / rear	degrees	±20	±20	±20	±20
Vertical oscillation	degrees	±5	±5	±5	±5
Drum offset right / left up to	mm (in)	1000 (39.4)	1000 (39.4)	1000 (39.4)	1000 (39.4)
Inner turning radius	m (yd)	3.4 (3.7)	3.4 (3.7)	3.4 (3.7)	3.4 (3.7)
Gradeability up to	degrees (%)	16.5 (30)	16.5 (30)	16.5 (30)	16.5 (30)



JCB VIBROMAX – COMPACTION EQUIPMENT TANDEM VIBRATORY ROLLER VMT920/VMT950S



ENGINE

Four-cylinder, water-cooled, four-stroke, turbo-charged diesel engine.

Engine	W 862 / W 864	
Make	Cummins	
Model	B 3.3	
Piston displacement	cm ³ (in ³)	3260 (199)
Performance – DIN 6271	kW (hp)	60 (80)
Operating speed	min ⁻¹ (rpm)	2200 (2200)
Starting device	Electric motor	
Air cleaner	Dry cartridge plus safety cartridge	
Fuel filter	Cartridge	
Fuel consumption	l/h (US gal)	9.2 (2.4)

PROPULSION

Hydrostatic direct drive on both drums / Hydrostatic direct drive on all four drum segments.

EXCITER DRIVE

Electrically controlled hydrostatic direct drive on both drums for double vibration and simple vibration rear only.

EXCITER

Single-shaft circular exciter with overturning weights.

STEERING SYSTEM

Servo assisted double yoke steering with drum offset and oscillation facility.

SERVICE CAPACITIES

Fuel	litres (US gal)	149 (39.4)
Engine oil (engine)	litres (US qt)	10.9 (11.5)
Engine oil (each exciter)	litres (US qt)	4 (4.2)
Hydraulic oil	litres (US gal)	85 (22.5)
Sprinkler water front / rear, each	litres (US gal)	545 (144)

BRAKING SYSTEM

	VMT920	VMT950S
Service brake:	Hydrostatic propulsion system.	Hydrostatic propulsion system.
Parking brake:	Hydrostatically released multi-disk brake on both drums.	Hydrostatically released multi-disk brake on all four drum segments.

ELECTRICAL SYSTEM

Voltage	V	12
Battery capacity	Ah	110
Alternator	V (A)	14 (max. 63)

INDICATORS AND SWITCHES

Fuel, battery charging current, starter lock, vibration, sprinkler system, parking brake, hour meter, engine oil pressure, hydraulic oil filter condition, air filter condition, neutral position rear drum.



JCB Vibromax Compaction Equipment GmbH, PO Box 230149, 40087 Düsseldorf, Germany, Erkrather Straße 343, 40231 Düsseldorf, Germany. Tel: +49 (0) 2 11 - 9 86 63. Fax: +49 (0) 2 11 - 9 86 65 55. Web: <http://www.jcbvibromax.de>

JCB Vibromax America Inc, 2823 Carlisle-Avenue, Racine, WI, 53404, USA. Tel: +1 262-637-8111. Fax: +1 262-637-8211.

JCB Vibromax Singapore, Representative Office, 72 Pasir Ris Heights, Singapore 519279. Tel: +65 6583 8297. Tel: +65 6583 8301.

JCB cares for the environment. This paper has been produced without the use of elemental chlorine chemicals in the bleaching process.

JCB reserves the right to change specifications without notice. Illustrations shown may include optional equipment and accessories. The JCB logo is a registered trademark of J C Bamford Excavators Ltd.



9999/5151 11/05 Issue 1

A Product
of Hard Work