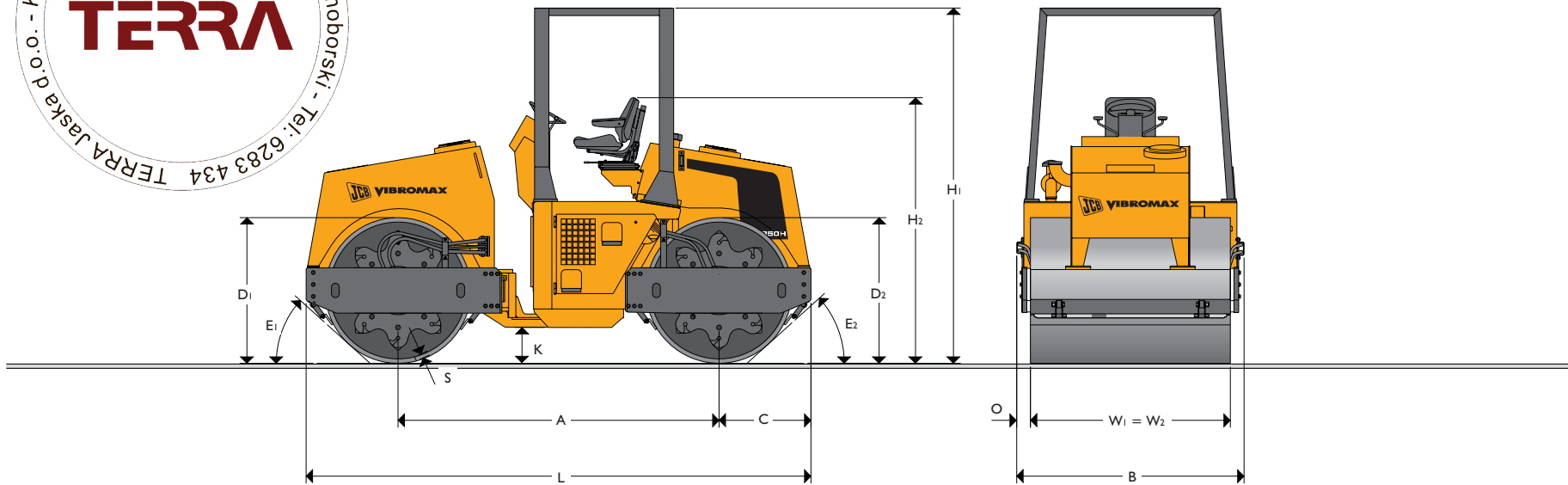




JCB VIBROMAX – COMPACTION EQUIPMENT TANDEM VIBRATORY ROLLER VMT850H



MAX. DRUM WIDTH: 1675mm (65.9in)
MAX. OPERATING WEIGHT: 10590kg (23347lb)



STATIC DIMENSIONS

Dimensions in millimetres (in)		
A	Wheelbase	2690 (105.9)
B	Overall width	1905 (75)
C	Axle to rear face	770 (30.3)
D1=D2	Height of rollers	1220 (48)
H1	Total travel clearance	2976 (117.2)
H2	Height to top of seat	2225 (87.6)
K	Ground clearance	300 (11.8)
L	Total travel length	4230 (166.5)
O	Overhang	115 (4.5)
S	Drum thickness	37 (1.5)
W1=W2	Drum width	1675 (65.9)
E1	Front departure angle	42°
E2	Rear departure angle	42°

OPERATING DATA

Operating weight (CECE)	kg (lb)	10590 (23347)	
Operating axle load front / rear	kg (lb)	5100 (11243) / 5490 (12100)	
Operating linear load front / rear	kg/cm (lb/in)	30 (170) / 33 (183)	
Vibration stage		1	2
Exciter frequency	Hz (vpm)	33.3 (2000)	42 (2520)
Nominal amplitude	mm (in)	1 (0.04)	0.4 (0.016)
Centrifugal force per drum	kN (lbf)	117 (26300)	65 (14612)
Centrifugal force / drum width	N/cm (lbf/in)	700 (399)	388 (221)
Compaction depth up to	cm (in)	70 (28)	70 (28)
Working speed (forward / reverse) max.	km/h (mph)	6.3 (3.9)	
Travel speed (forward / reverse) max.	km/h (mph)	12 (7.5)	
Steering lock angle	degrees	±25	
Vertical oscillation	degrees	±10	
Inner turning radius	m (in)	5.08 (200)	
Gradeability up to	degrees (%)	18 (32.5)	



JCB VIBROMAX – COMPACTION EQUIPMENT TANDEM VIBRATORY ROLLER VMT850H



ENGINE

Four-cylinder, water-cooled, four-stroke turbocharged diesel engine.

Make		Cummins
Model		4 BT 3.9 - C 99
Piston displacement	cm ³ (in ³)	3920 (240)
Performance – DIN 6271	kW (hp)	74 (99)
Operating speed	min ⁻¹ (rpm)	2200 (2200)
Starting device		Electric motor
Air cleaner		Dry cartridge plus safety cartridge
Fuel filter		Cartridge
Fuel consumption	l/h (US gal)	11.5 (3)

PROPULSION

Infinitely variable hydrostatic direct drive on both drums = all drum drive.

EXCITER DRIVE

Electrically controlled hydrostatic direct drive on both drum for single or double vibration.

EXCITER

Single-shaft circular exciter with overturning weights.

STEERING SYSTEM

Servo-assisted centre articulation with vertical oscillation.



SERVICE CAPACITIES

Fuel	litres (US gal)	140 (37)
Engine oil (engine)	litres (US gal)	10.9 (2.9)
Hydraulic oil	litres (US gal)	180 (47.5)
Sprinkler water, front	litres (US gal)	460/360 (121/95)

BRAKING SYSTEM

Service brake: Hydrostatic propulsion system.
Parking brake: Hydraulically released multi-disk brake on rear drum or both drums (CE-version).

ELECTRICAL SYSTEM

Voltage	V	12
Battery capacity	Ah	120
Alternator	A	max. 63

INDICATORS AND SWITCHES

Hour meter, fuel, engine temperature, engine oil pressure, battery charging current, hydraulic oil filter condition, parking brake, neutral position control lever, speed range selection, frequency, sprinkler system.

STANDARD EQUIPMENT

Double or single Vibration front / rear, two frequencies / amplitudes, operator's platform, pressurized sprinkler system with interval switch, Vulcollan scrapers, dry air cleaner, horn.

OPTIONAL EQUIPMENT

Cab, heating, air-conditioning, instrument panel cover, ROPS* (2 or 4 posts), weather protection roof, working lights*, road travel lighting equipment, safety belt*, back-up alarm*, tool bag, mechanical speed limiter, gravity fed sprinkler system, minimum sprinkler water level indicator, water filling pump, engine cold start device, noise reduction kit.

* Standard equipment on CE-versions.



JCB Vibromax Compaction Equipment GmbH, PO Box 230149, 40087 Düsseldorf, Germany, Erkrather Straße 343, 40231 Düsseldorf, Germany. Tel: +49 (0) 2 11 - 9 86 63. Fax: +49 (0) 2 11 - 9 86 65 55. Web: <http://www.jcbvibromax.de>

JCB Vibromax America Inc, 2823 Carlisle-Avenue, Racine, WI, 53404, USA. Tel: +1 262-637-8111. Fax: +1 262-637-8211.

JCB Vibromax Singapore, Representative Office, 72 Pasir Ris Heights, Singapore 519279. Tel: +65 6583 8297. Tel: +65 6583 8301.

JCB cares for the environment. This paper has been produced without the use of elemental chlorine chemicals in the bleaching process.

JCB reserves the right to change specifications without notice. Illustrations shown may include optional equipment and accessories. The JCB logo is a registered trademark of J C Bamford Excavators Ltd.



9999/5153 11/05 Issue 1

A Product
of Hard Work