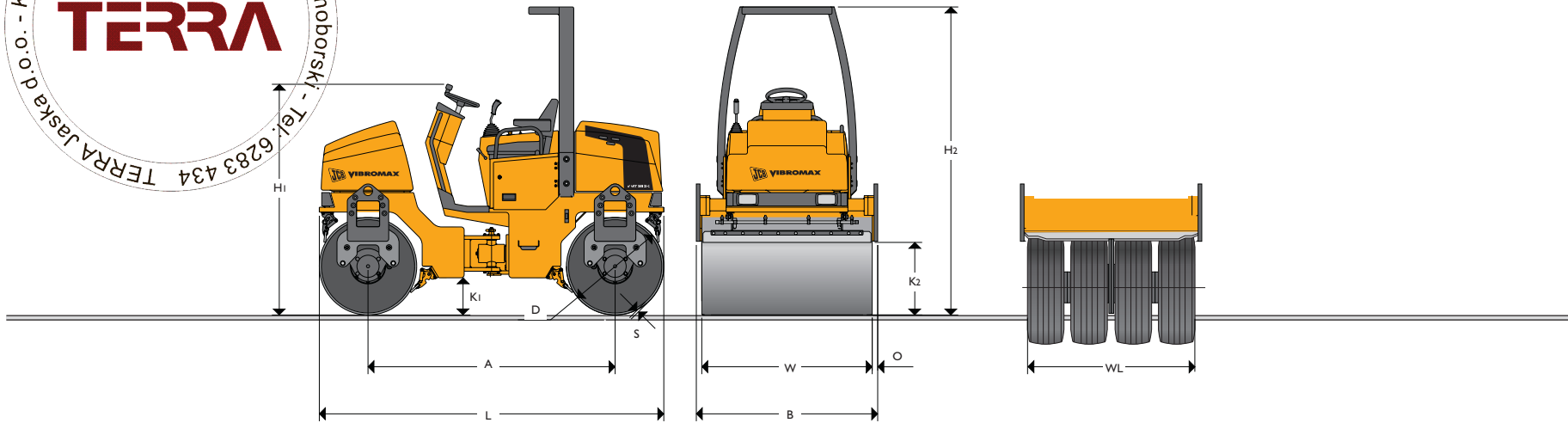




JCB VIBROMAX – COMPACTION EQUIPMENT TANDEM VIBRATORY ROLLER VMT390K/VMT400K



MAX. DRUM WIDTH: 1300mm (51.2in) / 1400mm (55.1in)
MAX. OPERATING WEIGHT: 3895kg (8587lb) / 3945kg (8697lb)



STATIC DIMENSIONS

Dimensions in millimetres (in)	
A Wheelbase	2300 (79.9)
B Overall width	1390 (54.7) / 1490 (58.7)
D Drum diameter	800 (31.5)
H ₁ Total travel clearance	1895 (74.6)
H ₂ Height to top of seat	2530 (99.6)
K ₁ Ground clearance	305 (12)
K ₂ Ground clearance	600 (23.6)
L Total travel length	2830 (111.4)
O Overhang	45 (1.8)
S Drum thickness	17 (0.7)
W Drum width	1300 (51.2) / 1400 (55.1)
W _i Width wheel axle	1280 (50.4)

OPERATING DATA

		VMT390K	VMT400K
Operating weight (CECE)	kg (lb)	3895 (8587)	3945 (8697)
Operating weight, without water inc. ROPS (CECE)	kg (lb)	3530 (8587)	3580 (7892)
Operating axle load front /rear	kg (lb)	1750 (8587) / 1780 (3924)	1800 (3968) / 1780 (3924)
Linear load front	kg/cm (lb/in)	13.5 (75.4)	12.9 (72)
Exciter frequency	Hz (vpm)	55 (3300)	55 (3300)
Nominal amplitude	mm (in)	0.51 (0.02)	0.51 (0.02)
Centrifugal force per drum	kN (lbf)	48 (10791)	51 (11465)
Centrifugal force / drum width	N/cm (lbf/in)	369 (211)	364 (208)
Travel speed (forward/reverse) 1st gear max.	km/h (mph)	0-6 (0-3.7)	0-6 (0-3.7)
Travel speed (forward/reverse) 2nd gear max.	km/h (mph)	0-11 (0-6.8)	0-11 (0-6.8)
Drum offset left / right (option)	mm (in)	127 (5)	127 (5)
Compaction depth up to	cm (in)	50 (19.7)	50 (19.7)
Steering lock angle	degrees	±36	±36
Vertical oscillation	degrees	±8	±8
Inner turning radius	m (in)	2.43 (95.7)	2.38 (93.7)
Tyre sizes		8.25 R15 smooth	8.25 R15 smooth
Number of tyres	m (in)	4	2.38 (93.7)
Gradeability up to	degrees (%)	40 (22)	40 (22)



JCB VIBROMAX – COMPACTION EQUIPMENT TANDEM VIBRATORY ROLLER VMT390K/VMT400K



OPTIONAL DUAL FREQUENCY

Vibration stage		VMT390K		VMT400K	
		1	2	1	2
Exciter frequency	Hz (vpm)	50 (3000)	55 (3300)	50 (3000)	55 (3300)
Nominal amplitude	mm (in)	0.56 (0.022)	0.33 (0.013)	0.56 (0.022)	0.33 (0.013)
Centrifugal force per drum	kN (lbf)	53 (11915)	31 (6969)	57 (12814)	33 (7419)
Centrifugal force / drum width	N/cm (lbf/in)	408 (233)	238 (136)	407 (232)	236 (135)

ENGINE

Four-cylinder, water-cooled, four-stroke diesel engine.

Make		Kubota
Model		V 2203
Piston displacement	cm ³ (in ³)	2197 (134)
Performance – DIN 6271	kW (hp)	34.3 (46.6)
Operating speed	min ⁻¹ (rpm)	2800 (2800)
Starting device		Electric motor
Air cleaner		Dry cartridge plus safety cartridge
Fuel filter		Cartridge
Fuel consumption	l/h (US gal)	8.5 (2.25)

PROPULSION

Hydrostatic, with variable displacement pump and fixed displacement motors with direct drive to drum and wheel axle.

EXCITER DRIVE

Electrically controlled hydrostatic direct drive on drum.

EXCITER

Single-shaft circular exciter.

STEERING SYSTEM

Servo-assisted centre articulation with oscillation facility.

SERVICE CAPACITIES

Fuel	litres (US gal)	76 (20.1)
Engine oil (engine)	litres (US gal)	9.5 (2.5)
Engine oil (each exciter)	litres (US gal)	0.8 (0.21)
Hydraulic oil	litres (US gal)	50 (13.2)
Sprinkler water, front	litres (US gal)	300 (79.3)
Sprinkler water for wheels	litres (US gal)	65 (17.2)

BRAKING SYSTEM

Service brake:	Hydrostatic propulsion system.
Parking brake:	Hydrostatically released multi-disk brake on drum and wheel motors.
Safety brake:	Hydro-electric deadman brake in operator's seat (CE-version).

ELECTRICAL SYSTEM

Voltage	V	12
Battery capacity	Ah	88
Alternator	V (A)	14 (max. 45)

INDICATORS AND SWITCHES

Fuel, battery charging current, starter lock, vibration, sprinkler system, parking brake, hour meter, engine oil pressure, air and hydraulic oil filter condition.



JCB Vibromax Compaction Equipment GmbH, PO Box 230149, 40087 Düsseldorf, Germany, Erkrather Straße 343, 40231 Düsseldorf, Germany. Tel: +49 (0) 2 11 - 9 86 63. Fax: +49 (0) 2 11 - 9 86 65 55. Web: <http://www.jcbvibromax.de>

JCB Vibromax America Inc, 2823 Carlisle-Avenue, Racine, WI, 53404, USA. Tel: +1 262-637-8111. Fax: +1 262-637-8211.

JCB Vibromax Singapore, Representative Office, 72 Pasir Ris Heights, Singapore 519279. Tel: +65 6583 8297. Tel: +65 6583 8301.

JCB cares for the environment. This paper has been produced without the use of elemental chlorine chemicals in the bleaching process.

JCB reserves the right to change specifications without notice. Illustrations shown may include optional equipment and accessories. The JCB logo is a registered trademark of J C Bamford Excavators Ltd.



9999/5147 11/05 Issue 1

A Product
of Hard Work