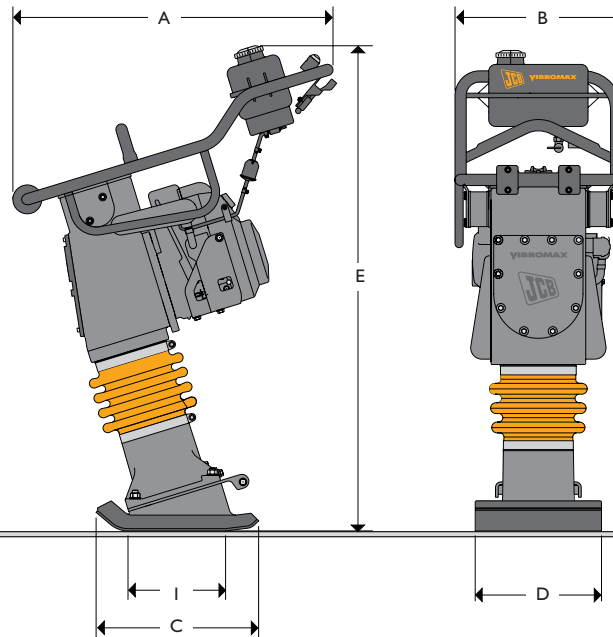




JCB VIBROMAX – COMPACTION EQUIPMENT RAPID BLOW TAMPER VMR75



MAX. OPERATING WEIGHT: 75kg (161lb)



STATIC DIMENSIONS

Dimensions in millimetres (in)	
A Overall length	670 (26.4)
B Width	370 (14.6)
C Length of tampering foot	360 (14.2)
D Width	280 (11)
E Overall height	1000 (39.4)
I Contact length	216 (8.5)

OPERATING DATA

Operating weight	kg (lb)	75 (161)
Impact force	kN (lbf)	16 (3600)
Contact area	cm ² (in ²)	604.8 (94)
Impact force / Contact area	N/cm ² (lbf/in ²)	26.5 (38.3)
Number of blows	l/min (Hz)	660 (11)
Compaction depth	cm (in)	70 (27.6)
Operating speed, until	m/min (in/min)	20 (787)
Surface performance	m ² /h (yd ² /h)	350 (419)



JCB VIBROMAX – COMPACTION EQUIPMENT RAPID BLOW TAMPER VMR75



ENGINE

Single-cylinder, air-cooled four-stroke gasoline engine.

Make		Robin
Model		EH12-2
Piston displacement	cm ³ (in ³)	121 (7.38)
Performance – DIN 6271	kW (hp)	2.6 (3.5)
Operating speed	min ⁻¹ (rpm)	3600 (3600)
Starting device		Recoil starter
Air cleaner		Dry air cleaner
Fuel filter		Cartridge
Fuel consumption	l/h (US gal/h)	1.0 (0.26)

SERVICE CAPACITIES

Fuel tank	litres (US gal)	2.7 (0.7)
Tamper (engine oil)	litres (US gal)	1.5 (0.4)
Engine (engine oil)	litres (US gal)	0.6 (0.16)

DRIVE

Gear and crankshaft with splash oil lubrication.

ENERGY ACCUMILATION

Double-spring packet.



JCB Vibromax Compaction Equipment GmbH, PO Box 230149, 40087 Düsseldorf, Germany, Erkrather Straße 343, 40231 Düsseldorf, Germany. Tel: +49 (0) 2 11 - 9 86 63. Fax: +49 (0) 2 11 - 9 86 65 55. Web: <http://www.jcbvibromax.de>

JCB Vibromax America Inc, 2823 Carlisle-Avenue, Racine, WI, 53404, USA. Tel: +1 262-637-8111. Fax: +1 262-637-8211.

JCB Vibromax Singapore, Representative Office, 72 Pasir Ris Heights, Singapore 519279. Tel: +65 6583 8297. Tel: +65 6583 8301.

JCB cares for the environment. This paper has been produced without the use of elemental chlorine chemicals in the bleaching process.

JCB reserves the right to change specifications without notice. Illustrations shown may include optional equipment and accessories. The JCB logo is a registered trademark of J C Bamford Excavators Ltd.



9999/5126 11/05 Issue 1

A Product
of Hard Work