



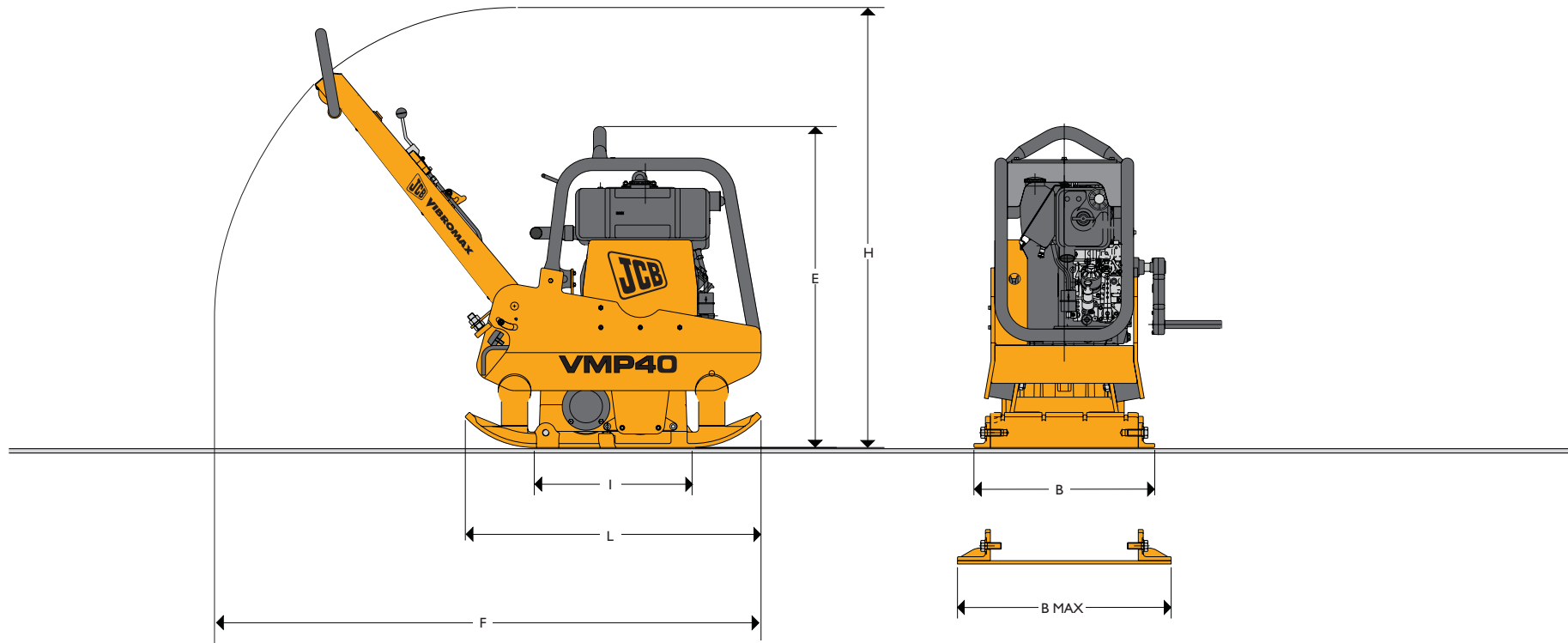
JCB VIBROMAX – COMPACTION EQUIPMENT REVERSIBLE PLATE COMPACTOR VMP40



TERRA

TERRA Jaska d.o.o
Ulica Trešnjevka 22
www.jcb.hr

MAX. PLATE WIDTH: 450mm (17.7)
MAX. OPERATING WEIGHT: 395kg (871lb)



STATIC DIMENSIONS

Dimensions in millimetres (in)		
B	Overall width	450 (17.7)
B MAX	Overall width including extension plates	600 (23.62)
E	Height without guide bar	840 (33.0)
F	Total length	1600 (62.9)
H	Total height	1320 (51.9)
I	Contact length	450 (17.7)
L	Plate length	800 (31.5)

OPERATING DATA

Operating weight	kg (lb)	395 (871)
Exciter frequency	Hz (vpm)	65 (3900)
Working width*	cm (in)	50 (19.7)
Centrifugal force	kN (lbf)	52 (11690)
Contact area	cm ² (in ²)	2400 (372)
Centrifugal force / contact area	N/cm ² (lbf / sq in)	21.7 (31.4)
Compaction depth up to	cm (in)	70 (27.6)
Working speed forward / reverse max.	m/min (ft/min)	23 (75.5)
Compacted area up to	m ² /h (ft ² /h)	690 (7424)

* Other working widths on request.

A Product
of Hard Work



JCB VIBROMAX – COMPACTION EQUIPMENT REVERSIBLE PLATE COMPACTOR VMP40



ENGINE

Single cylinder, air-cooled, four-stroke-diesel engine.

Make		HATZ
Model		1D41S
Piston displacement	cm ³ (in ³)	232 (14.2)
Performance – DIN 6271	kW (hp)	5.6 (7.6)
Operating speed @ rpm	min ⁻¹	2850
Starting device		Recoil starter
Air cleaner		Dry air cleaner
Fuel filter		Cartridge
Fuel consumption	l/h	1.3

SERVICE CAPACITIES

Fuel	litres (US gal)	5 (1.3)
Engine oil (engine)	litres (US gal)	1 (0.3)
Engine oil (exciter)	litres	0.8

PROPULSION

See exciter drive.

EXCITER DRIVE

Centrifugal clutch and V-belt drive.

EXCITER

Twin shaft directional force exciter with active direction infinitely adjustable.



TERRA

TERRA Jaska d.o.o
Ulica Trešnjevka 22
www.jcb.hr



JCB Vibromax Compaction Equipment GmbH, PO Box 230149, 40087 Düsseldorf, Germany, Erkrather Straße 343, 40231 Düsseldorf, Germany. Tel: +49 (0) 2 11 - 9 86 63. Fax: +49 (0) 2 11 - 9 86 65 55. Web: <http://www.jcbvibromax.de>

JCB Vibromax America Inc, 2823 Carlisle-Avenue, Racine, WI, 53404, USA. Tel: +1 262-637-8111. Fax: +1 262-637-8211.

JCB Vibromax Singapore, Representative Office, 72 Pasir Ris Heights, Singapore 519279. Tel: +65 6583 8297. Tel: +65 6583 8301.

JCB cares for the environment. This paper has been produced without the use of elemental chlorine chemicals in the bleaching process.

JCB reserves the right to change specifications without notice. Illustrations shown may include optional equipment and accessories. The JCB logo is a registered trademark of J C Bamford Excavators Ltd.



9999/5135 11/05 Issue 1

A Product
of Hard Work