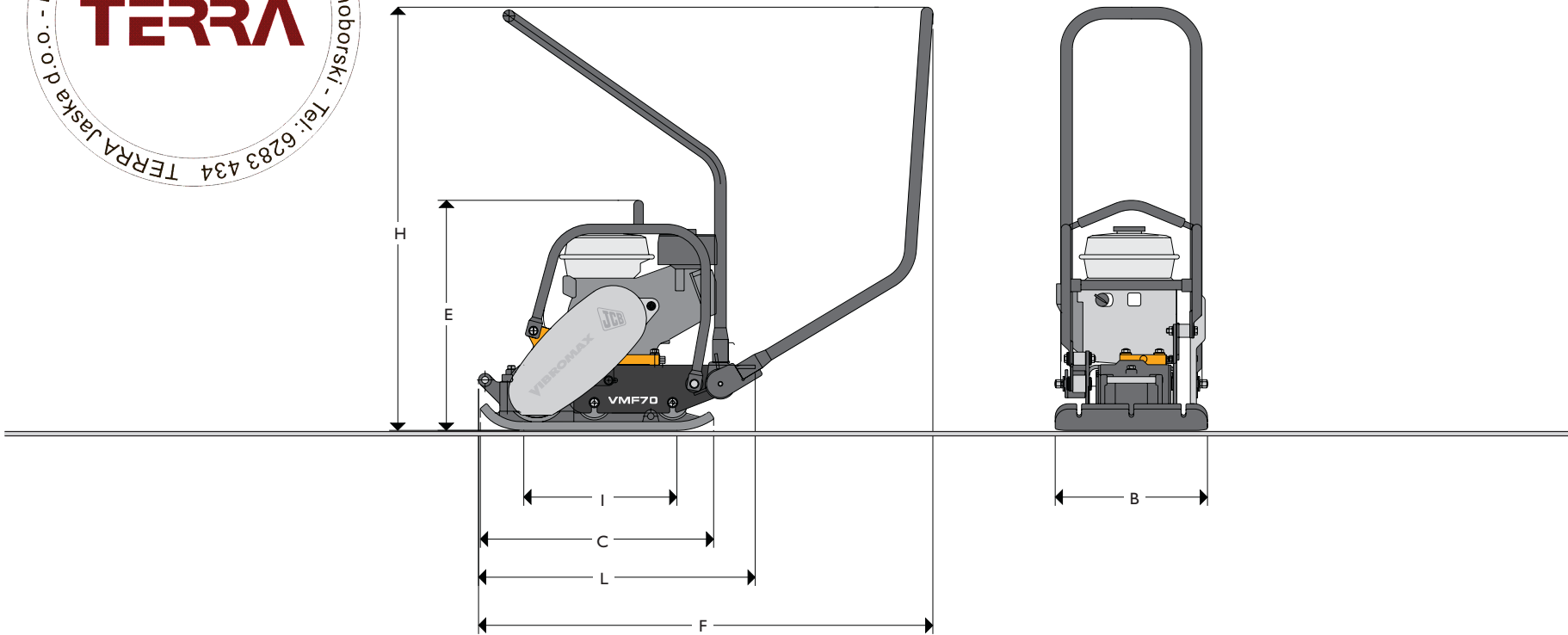




JCB VIBROMAX – COMPACTION EQUIPMENT SINGLE DIRECTION PLATE COMPACTOR VMF70



MAX. PLATE WIDTH: 350mm (13.8in)
MAX. OPERATING WEIGHT: 68kg (150lb)



STATIC DIMENSIONS

Dimensions in millimetres (in)	
B Overall width	350 (13.8)
C Plate length	536 (21.1)
E Height without guide bar	529 (20.8)
F Total length	1150 (45.3)
G Total clearance	970 (38.1)
H Length of guide bar	900 (35.4)
I Contact length	352 (13.9)
L Length without guide bar	636 (25.0)

OPERATING DATA

Operating weight (CECE)	kg (lb)	68 (150)
Centrifugal force	kN (lbf)	13.4 (3012)
Contact area	cm ² (sq.in)	1232 (191)
Centrifugal force/contact area	N/cm ² (lbf/sq.in)	10.8 (15.7)
Exciter frequency	Hz (vpm)	100 (6000)
Compaction depth up to	cm (in)	30 (11.8)
Working speed	m/min (yd/min)	23 (25.2)
Compacted area up to	m ² /h (sq.yd/h)	483 (578)



JCB VIBROMAX – COMPACTION EQUIPMENT SINGLE DIRECTION PLATE COMPACTOR **VMF70**



ENGINE

Single cylinder engine, air cooled, four-stroke gasoline.

Make		Honda / Robin
Model		GX 120 Honda / EX 13D Robin
Piston displacement	cm ³ (in ³)	118 (7.2) Honda / 126 (7.7) Robin
Performance – DIN 6271	kW (hp)	2.9 (3.9) Honda / 2.2 (3.0) Robin
Operating speed	(rpm)	3600
Starting device		Recoil starter
Air cleaner		Dry air cleaner
Fuel filter		Cartridge
Fuel consumption	l/h (US gal/h)	0.8 (0.84)

SERVICE CAPACITIES

Fuel	litres (US gal)	2.5 (0.66) Honda / 2.7 (0.71) Robin
Engine oil (engine)	litres (US gal)	0.5 (0.13) Honda / 0.6 (0.16) Robin
Engine oil (exciter)	litres (US qt)	0.075 (0.08)
Sprinker water (optional equipment)	litres (US qt)	8 (8.46)

PROPULSION

See exciter drive.

EXCITER DRIVE

Centrifugal clutch and V-belt drive.

EXCITER

Single-shaft circular exciter.



JCB Vibromax Compaction Equipment GmbH, PO Box 230149, 40087 Düsseldorf, Germany, Erkrather Straße 343, 40231 Düsseldorf, Germany. Tel: +49 (0) 2 11 - 9 86 63. Fax: +49 (0) 2 11 - 9 86 65 55. Web: <http://www.jcbvibromax.de>

JCB Vibromax America Inc, 2823 Carlisle-Avenue, Racine, WI, 53404, USA. Tel: +1 262-637-8111. Fax: +1 262-637-8211.

JCB Vibromax Singapore, Representative Office, 72 Pasir Ris Heights, Singapore 519279. Tel: +65 6583 8297. Tel: +65 6583 8301.

JCB cares for the environment. This paper has been produced without the use of elemental chlorine chemicals in the bleaching process.

JCB reserves the right to change specifications without notice. Illustrations shown may include optional equipment and accessories. The JCB logo is a registered trademark of J C Bamford Excavators Ltd.



9999/5127 11/05 Issue 1

A Product
of Hard Work