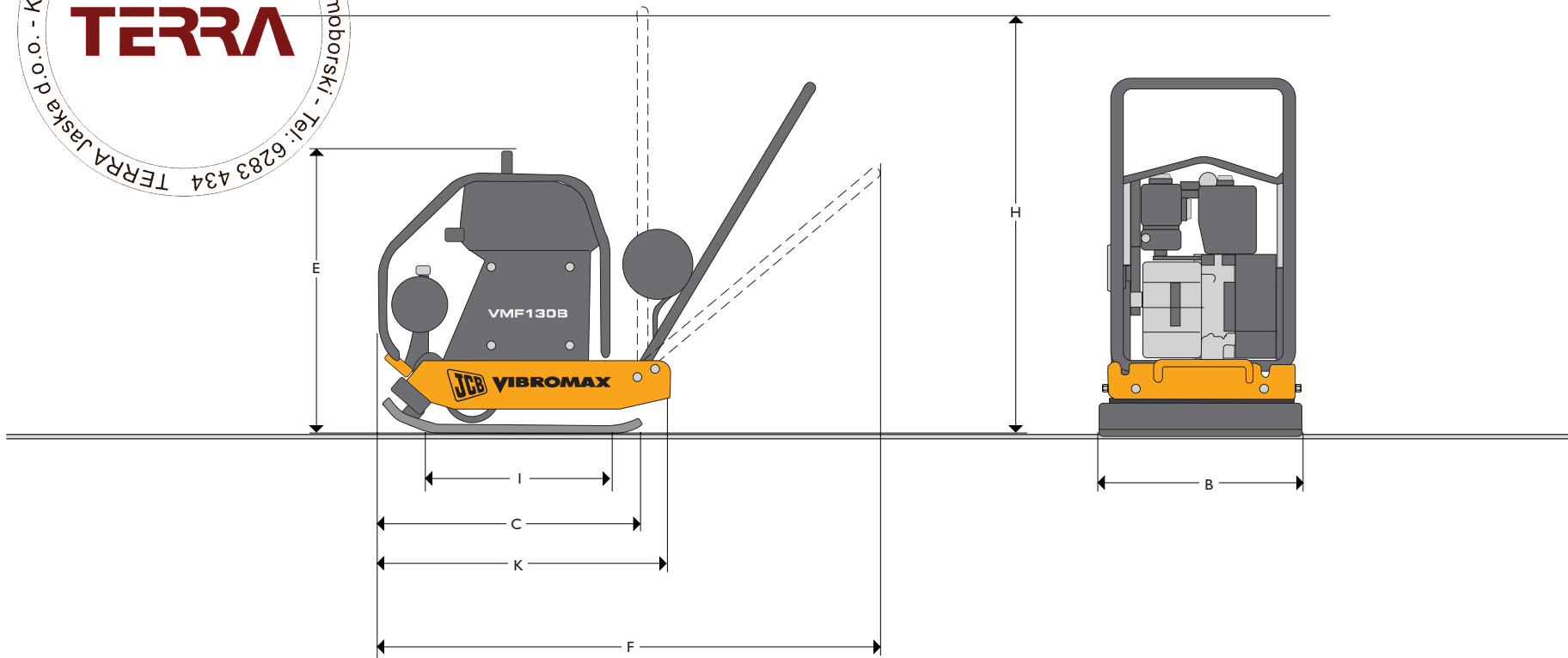




JCB VIBROMAX – COMPACTION EQUIPMENT
SINGLE DIRECTION PLATE COMPACTOR VMF130B



MAX. PLATE WIDTH: 500mm (19.7in)
MAX. OPERATING WEIGHT: 108kg (238lb)



STATIC DIMENSIONS

Dimensions in millimetres (in)	
B Overall width	500 (19.7)
C Plate length	650 (25.6)
E Height without guide bar	550 (21.7)
F Total length	1365 (53.7)
H Total clearance	1166 (45.9)
I Contact length	405 (15.9)
K Length without guide bar	775 (29.7)

OPERATING DATA

Operating weight (CECE)	kg (lb)	108 (238)
Centrifugal force	kN (lbf)	18 (4046)
Contact area	cm ² (sq.in)	2025 (314)
Centrifugal force/contact area	N/cm ² (lbf/sq.in)	8.9 (12.9)
Exciter frequency	Hz (vpm)	90 (5400)
Compaction depth up to	cm (in)	30 (11.8)
Working speed	m/min (yd/min)	25 (?)
Compacted area up to	m ² /h (sq.yd/h)	750 (?)



JCB VIBROMAX – COMPACTION EQUIPMENT SINGLE DIRECTION PLATE COMPACTOR VMF130B



ENGINE

Single cylinder engine, air cooled, four petrol engine.

Make		Honda
Model		GX 160
Piston displacement	cm ³ (in ³)	163 (10)
Performance – DIN 6271	kW (hp)	4.0 (5.4)
Operating speed	(rpm)	3650
Starting device		Recoil starter
Air cleaner		Dry air cleaner
Fuel filter		Cartridge
Fuel consumption	l/h (US gal/h)	1.2 (0.32)

SERVICE CAPACITIES

Fuel	litres (US gal)	3.6 (0.9)
Engine oil (engine)	litres (US gal)	0.6 (0.16)
Engine oil (exciter)	litres (US qt)	1.15 (0.16)
Sprinker water (optional equipment)	litres (US gal)	5 (1.3)

PROPULSION

See exciter drive.

EXCITER DRIVE

Centrifugal clutch and V-belt drive.

EXCITER

Single-shaft circular exciter.



JCB Vibromax Compaction Equipment GmbH, PO Box 230149, 40087 Düsseldorf, Germany, Erkrather Straße 343, 40231 Düsseldorf, Germany. Tel: +49 (0) 2 11 - 9 86 63. Fax: +49 (0) 2 11 - 9 86 65 55. Web: <http://www.jcbvibromax.de>

JCB Vibromax America Inc, 2823 Carlisle-Avenue, Racine, WI, 53404, USA. Tel: +1 262-637-8111. Fax: +1 262-637-8211.

JCB Vibromax Singapore, Representative Office, 72 Pasir Ris Heights, Singapore 519279. Tel: +65 6583 8297. Tel: +65 6583 8301.

JCB cares for the environment. This paper has been produced without the use of elemental chlorine chemicals in the bleaching process.

JCB reserves the right to change specifications without notice. Illustrations shown may include optional equipment and accessories. The JCB logo is a registered trademark of J C Bamford Excavators Ltd.



9999/5129 11/05 Issue 1

A Product
of Hard Work