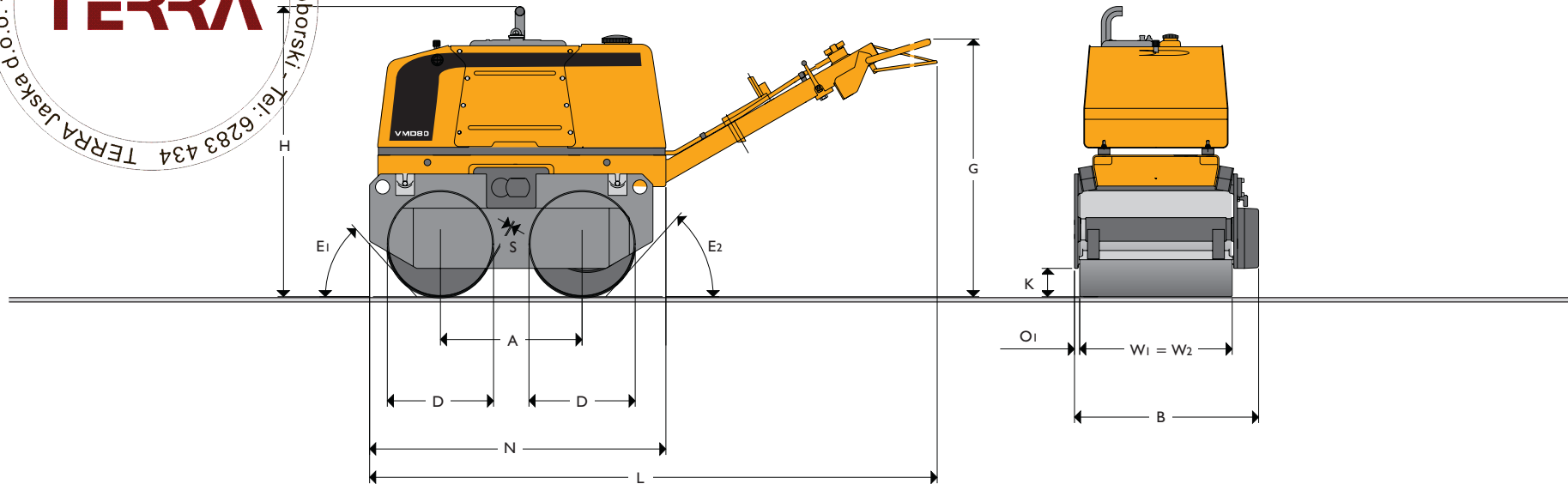




## JCB VIBROMAX – COMPACTION EQUIPMENT DOUBLE DRUM WALK BEHIND ROLLER VMD80



MAX. DRUM WIDTH: 650mm (25.6in)  
MAX. ENGINE POWER: 6.5kW (8.8hp)



### STATIC DIMENSIONS

Dimensions in millimetres (in)		
A	Wheelbase	600 (23.6)
B	Overall width	780 (30.7)
D	Drum diameter	450 (17.7)
G	Height of guide bar	1150 (45.3)
H	Height to top of seat	1235 (48.6)
K	Curb clearance	160 (6.3)
L	Total travel length	2390 (94.1)
N	Length of frame	1230 (48.4)
O1	Overhang	20 (0.8)
S	Drum depth	10 (0.39)
W1=W2	Roller width	650 (25.6)
E1	Departure angle	48°
E2	Departure angle	48°

### OPERATING DATA

Operating weight (CECE)	kg (lb)	800 (1764)
Operating axle load front / rear	kg (lb)	360 (440) / 794 (970)
Linear load front / rear	kg/cm (lb/in)	5.5 (6.8) / 31 (38)
Exciter frequency	Hz	55
Nominal amplitude	mm (in)	0.42 (0.17)
Centrifugal force per drum	kN (lbf)	20 (4496)
Centrifugal force / drum width	N/cm (lbf/in)	154 (88)
Travel speed forward / reverse max.	km/h (mph)	0-5 (0-2.5) / 0-3.1 (0-1.5)
Compaction depth up to	cm (in)	40 (15.7)
Compaction area (at 2km/h)	m <sup>2</sup> /h (yd <sup>2</sup> /h)	1141 (1365)
Gradeability up to	degrees (%)	19 (35)



## JCB VIBROMAX – COMPACTION EQUIPMENT DOUBLE DRUM WALK BEHIND ROLLER **VMD80**



### ENGINE

Single-cylinder, air-cooled, four-stroke diesel engine.

Make		HATZ
Model		I D 50 S
Piston displacement	cm <sup>3</sup> (in <sup>3</sup> )	517 (31.5)
Performance – DIN 6271	kW (hp)	6.5 (8.8)
Operating speed	rpm	2500
Starting device		Security crank; Option: electric starter
Air cleaner		Dry air cleaner
Fuel filter		Cartridge
Fuel consumption	l/h (US gal/h)	1.5 (0.4)

### PROPULSION

Infinitely variable direct hydrostatic drive via gear drive to both drums = all-drum drive.

### EXCITER DRIVE

Hydrostatic drive.

### EXCITER

Twin-shaft directional force exciter in the roller frame.

### BRAKING SYSTEM

<b>Service brake:</b>	Hydrostatic propulsion system.
<b>Safety brake:</b>	Mechanical.
<b>Parking brake:</b>	Mechanical.

### SERVICE CAPACITIES

Fuel	litres (US gal)	5 (1.3)
Engine oil (engine)	litres (US qt)	1.5 (1.59)
Engine oil (exciter)	litres (US qt)	1 (1.06)
Hydraulic oil	litres (US gal)	30 (7.9)
Sprinkler water rear	litres (US gal)	65 (17.2)

### STANDARD EQUIPMENT

Maintenance-free hydrostatic exciter drive, flexibly mounted stainless steel water tank.

### OPTIONAL EQUIPMENT

Protective-frame with central lifting eye, tiltable guide bar, recoil damper (Deadman brake in guide handle): CE-version = standard.



JCB Vibromax Compaction Equipment GmbH, PO Box 230149, 40087 Düsseldorf, Germany, Erkrather Straße 343, 40231 Düsseldorf, Germany. Tel: +49 (0) 2 11 - 9 86 63. Fax: +49 (0) 2 11 - 9 86 65 55. Web: <http://www.jcbvibromax.de>

JCB Vibromax America Inc, 2823 Carlisle-Avenue, Racine, WI, 53404, USA. Tel: +1 262-637-8111. Fax: +1 262-637-8211.

JCB Vibromax Singapore, Representative Office, 72 Pasir Ris Heights, Singapore 519279. Tel: +65 6583 8297. Tel: +65 6583 8301.

JCB cares for the environment. This paper has been produced without the use of elemental chlorine chemicals in the bleaching process.

JCB reserves the right to change specifications without notice. Illustrations shown may include optional equipment and accessories. The JCB logo is a registered trademark of J C Bamford Excavators Ltd.



9999/5140 11/05 Issue 1

A Product  
of Hard Work