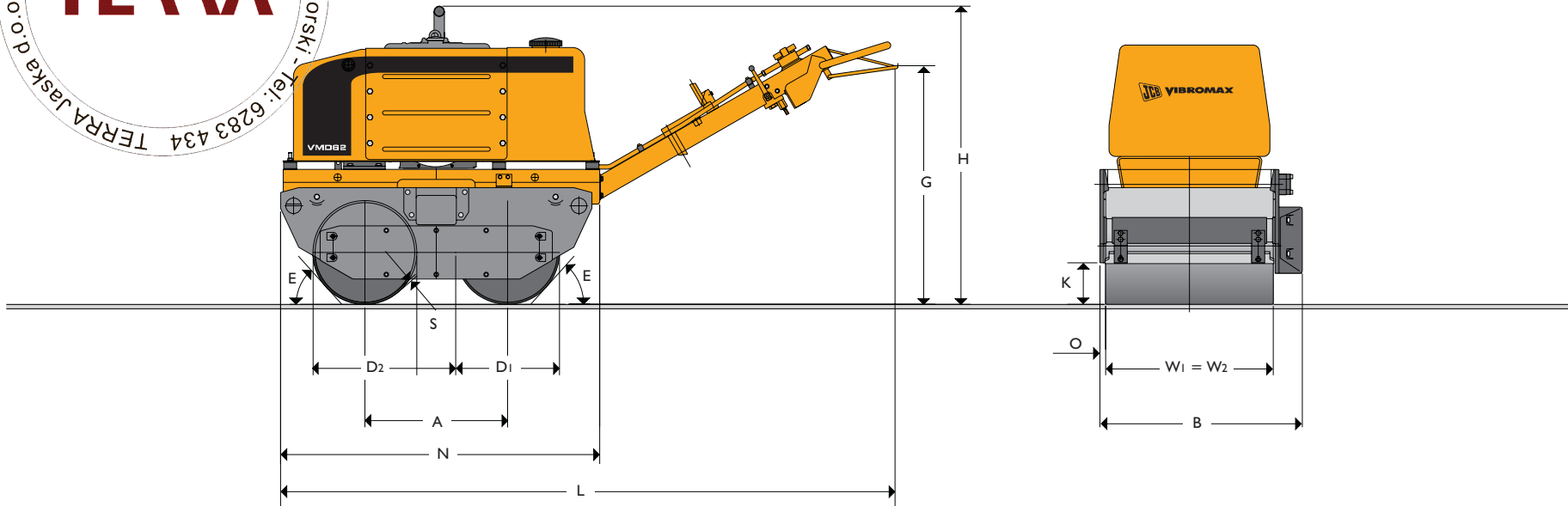




JCB VIBROMAX – COMPACTION EQUIPMENT DOUBLE DRUM WALK BEHIND ROLLER VMD62



MAX. DRUM WIDTH: 600mm (23.6in)
MAX. ENGINE POWER: 6.5kW (8.8hp)



STATIC DIMENSIONS

Dimensions in millimetres (in)		
A	Wheelbase	550 (21.7)
B	Overall width	700 (27.6)
D1=D2	Drum diameter	400 (15.7)
G	Height of guide bar	950 (37.4)
H	Overall height	1150 (45.3)
K	Curb clearance	195 (7.7)
L	Total travel length	2380 (93.7)
N	Length of frame	1230 (48.4)
O	Overhang	22 (0.87)
S	Drum depth	8 (0.31)
W1=W2	Roller width	600 (23.6)
E	Departure angle	56°

OPERATING DATA

Operating weight (CECE)	kg (lb)	600 (1323)
Operating axle load front / rear	kg (lb)	280 (617) / 320 (706)
Linear load front / rear	kg/cm (lb/in)	4.7 (26.3) / 5.3 (29.7)
Exciter frequency	Hz	55
Nominal amplitude	mm (in)	0.44 (0.02)
Centrifugal force per drum	kN (lbf)	16 (3596)
Centrifugal force / drum width	N/cm (lbf/in)	133 (75.9)
Travel speed forward / reverse max.	km/h (mph)	0-5 (0-3.1) / 0-2 (0-1.2)
Compaction depth up to	cm (in)	30 (11.8)
Compaction area (at 2km/h)	m ² /h (yd ² /h)	830 (993)
Gradeability up to	degrees (%)	19 (35)



JCB VIBROMAX – COMPACTION EQUIPMENT DOUBLE DRUM WALK BEHIND ROLLER **VMD62**



ENGINE

Single-cylinder, air-cooled, four-stroke diesel engine.

Make		HATZ
Model		I D 50 S
Piston displacement	cm ³ (in ³)	517 (31.5)
Performance – DIN 6271	kW (hp)	6.5 (8.8)
Operating speed	rpm	2500
Starting device		Security crank; Option: electric starter
Air cleaner		Dry air cleaner
Fuel filter		Cartridge
Fuel consumption	l/h (US gal/h)	1.2 (0.32)

PROPULSION

Hydrostatic, with variable displacement pump, centrifugal clutch and constant displacement motor direct drive to a gear system on both drums = all drum drive.

EXCITER DRIVE

Hydrostatic.

EXCITER

Single-shaft circular exciter in the drum frame.

BRAKING SYSTEM

Service brake:	Hydrostatic propulsion system.
Safety brake:	Hydro-mechanical system.
Parking brake:	Mechanical.

SERVICE CAPACITIES

Fuel	litres (US gal)	5 (1.32)
Engine oil (engine)	litres (US qt)	1.5 (1.59)
Engine oil (exciter)	litres (US qt)	0.25 (0.26)
Hydraulic oil	litres (US qt)	30 (31.7)
Sprinkler water rear	litres (US gal)	65 (17.2)

STANDARD EQUIPMENT

Maintenance-free hydrostatic exciter drive, flexibly mounted stainless steel water tank.

OPTIONAL EQUIPMENT

Protective-frame with central lifting eye, tiltable guide bar, recoil damper (Deadman brake in guide handle): CE-version = standard.



JCB Vibromax Compaction Equipment GmbH, PO Box 230149, 40087 Düsseldorf, Germany, Erkrather Straße 343, 40231 Düsseldorf, Germany. Tel: +49 (0) 2 11 - 9 86 63. Fax: +49 (0) 2 11 - 9 86 65 55. Web: <http://www.jcbvibromax.de>

JCB Vibromax America Inc, 2823 Carlisle-Avenue, Racine, WI, 53404, USA. Tel: +1 262-637-8111. Fax: +1 262-637-8211.

JCB Vibromax Singapore, Representative Office, 72 Pasir Ris Heights, Singapore 519279. Tel: +65 6583 8297. Tel: +65 6583 8301.

JCB cares for the environment. This paper has been produced without the use of elemental chlorine chemicals in the bleaching process.

JCB reserves the right to change specifications without notice. Illustrations shown may include optional equipment and accessories. The JCB logo is a registered trademark of J C Bamford Excavators Ltd.



9999/5139 11/05 Issue 1

A Product
of Hard Work