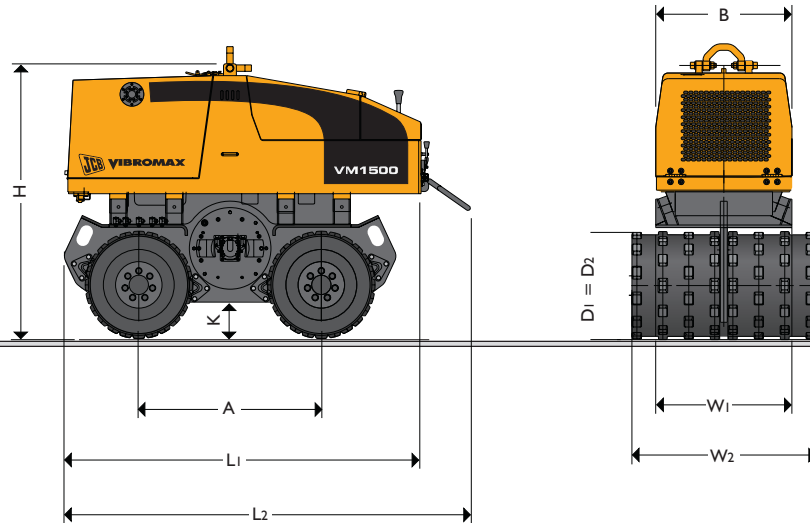




JCB VIBROMAX – COMPACTION EQUIPMENT VIBRATORY TRENCH ROLLER VM1500



MAX. DRUM WIDTH: 850mm (33.5in)
MAX. OPERATING WEIGHT: 1500kg (3307lb)



STATIC DIMENSIONS

| Dimensions in millimetres (in) | | |
|--------------------------------|---------------------|-------------|
| A | Wheelbase | 850 (33.5) |
| B | Overall width | 630 (24.8) |
| D1=D2 | Drum diameter | 500 (19.7) |
| H | Overall height | 1280 (50.4) |
| K | Ground clearance | 170 (6.7) |
| L1 | Length | 1650 (65) |
| L2 | Total travel length | 1870 (73.6) |
| W1 | Roller width | 630 (24.8) |
| W2 | Roller width | 850 (33.5) |

OPERATING DATA

| | | |
|---|-----------------------------|---------------------------------|
| Operating weight (CECE) | kg (lb) | 1500 (3307) |
| Operating axle load front / rear | kg (lb) | 750 (1654) / 750 (1654) |
| Exciter frequency | Hz | 31 |
| Nominal amplitude | mm (in) | 2.4 (0.09) |
| Centrifugal force | kN (lbf) | 84 (18880) |
| Compaction depth up to | cm (in) | 80 (31.5) |
| Travel speed (forward/reverse) 1st gear max. | km/h (mph) / m/min (yd/min) | 0-1.1 (0.07) / 0-18.3 (0-20) |
| Travel speed (forward/reverse) 2nd gear max. | km/h (mph) / m/min (yd/min) | 0-2.5 (0-1.6) / 0-41.7 (0-45.6) |
| Gradeability up to with vibration / without vibration | degrees (%) | 24 (45) / 29 (55) |



JCB VIBROMAX – COMPACTION EQUIPMENT VIBRATORY TRENCH ROLLER VM1500



ENGINE

Three-cylinder, watercooled, four-stroke Diesel engine.

| | | |
|------------------------|------------------------------------|----------------|
| Make | | Kubota |
| Model | | D1005-BB-EC |
| Piston displacement | cm ³ (in ³) | 1000 (61) |
| Performance – DIN 6271 | kW (hp) | 16.8 (22.8) |
| Operating speed | rpm | 3000 |
| Starting device | | Electric motor |
| Air cleaner | | Dry cartridge |
| Fuel filter | | Cartridge |
| Fuel consumption | l/h (US gal/h) | 2.57 (0.7) |

PROPULSION

Hydrostatic, with variable displacement pump and two circuit drive to all four drums.

EXCITER DRIVE

Hydrostatic drive.

EXCITER

Single-shaft circular exciter (drive direction reversible).

STEERING SYSTEM

Two circuit propulsion drive.

BRAKING SYSTEM

Service brake: Hydrostatic propulsion system.
Parking brake: Hydraulically released multi-disk brake on rear drums.

ELECTRICAL SYSTEM

| | | |
|------------------|------|-----------------|
| Voltage | V | 12 |
| Battery capacity | Ah | 66 |
| Alternator | V(A) | 14 (40 maximum) |

SERVICE CAPACITIES

| | | |
|----------------------|-----------------|------------|
| Fuel | litres (US gal) | 22 (5.8) |
| Engine oil (engine) | litres (US qt) | 4 (4.2) |
| Engine oil (exciter) | litres (US qt) | 0.5 (0.53) |
| Hydraulic oil | litres (US gal) | 70 (18.5) |

INDICATORS AND SWITCHES

Battery charging current, hour meter, engine oil pressure, engine temperature, pre-heating.



JCB Vibromax Compaction Equipment GmbH, PO Box 230149, 40087 Düsseldorf, Germany, Erkrather Straße 343, 40231 Düsseldorf, Germany. Tel: +49 (0) 2 11 - 9 86 63. Fax: +49 (0) 2 11 - 9 86 65 55. Web: <http://www.jcbvibromax.de>

JCB Vibromax America Inc, 2823 Carlisle-Avenue, Racine, WI, 53404, USA. Tel: +1 262-637-8111. Fax: +1 262-637-8211.

JCB Vibromax Singapore, Representative Office, 72 Pasir Ris Heights, Singapore 519279. Tel: +65 6583 8297. Tel: +65 6583 8301.

JCB cares for the environment. This paper has been produced without the use of elemental chlorine chemicals in the bleaching process.

JCB reserves the right to change specifications without notice. Illustrations shown may include optional equipment and accessories. The JCB logo is a registered trademark of J C Bamford Excavators Ltd.



9999/5141 11/05 Issue 1

A Product
of Hard Work