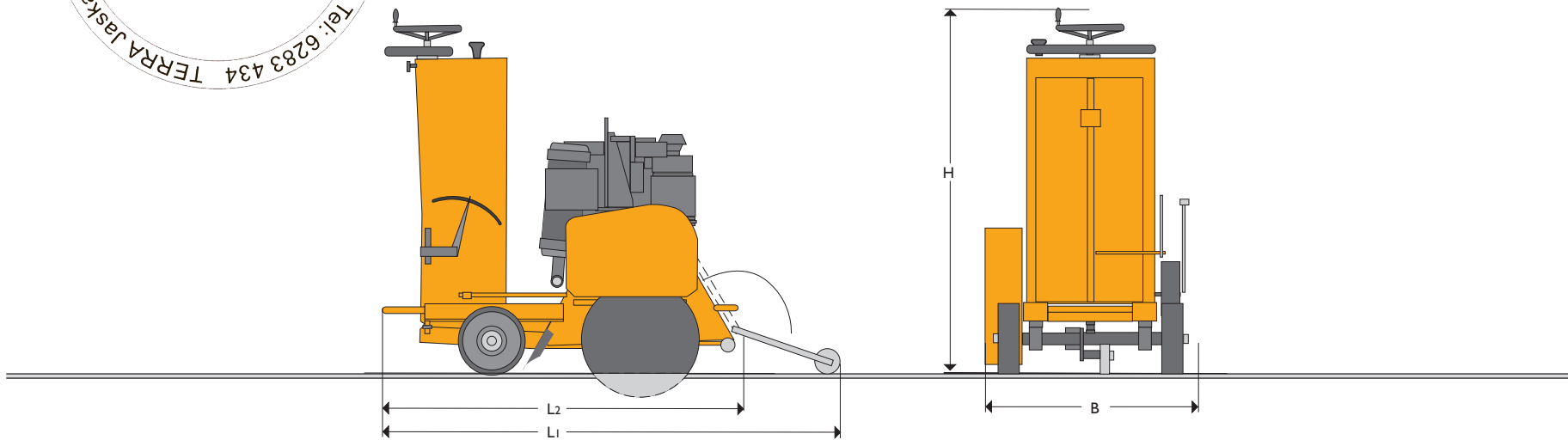




JCB VIBROMAX – COMPACTION EQUIPMENT
 ASPHALT/CONCRETE CUTTER TCC6



MAX. CUTTING DEPTH: 100mm – 150mm



STATIC DIMENSIONS

Dimensions in millimetres (in)	
B Overall width	630 (24.8)
H Overall height	1100 (43.3)
L1 Overall length	1420 (55.9)
L2 Length without pointer	1080 (42.5)

OPERATING DATA

Operating weight (CECE)	kg (lb)	228 (503)
Maximum weight	kg (lb)	259 (571)
Cutting blade speed	min (rpm)	2500 (2500)



JCB VIBROMAX – COMPACTION EQUIPMENT ASPHALT/CONCRETE CUTTER TCC6



ENGINE

Single-cylinder, air and oil-cooled, four-stroke Diesel engine.

Make		Hatz
Model		I B 40
Piston displacement	cm ³ (in ³)	462 (28.2)
Performance – DIN 6271	kW / HP	42 / 57
Operating speed	min (rpm)	300 (3000)
Starting device		Recoil starter
Fuel consumption	l/h (gal/h)	1.71 (0.45)

DRIVES

Propulsion		Hand-guided
Cutting blade		V-belt drive

FILTERS

Air		Dry air cleaner
Fuel		Cartridge

SERVICE CAPACITIES

Fuel	litres (US gal)	51 (1.32)
Engine oil	litres (US qt)	1.2 (1.27)
Sprinkling water	litres (US gal)	50 (13.2)

SPECIAL ACCESSORIES

Diamond cutting blades for bituminous materials:

Diameter	mm (in)	300 (12) / 350 (14) / 400 (16)
Thickness	mm (in)	3.2 (0.13) / 3.2 (0.13) / 3.2 (0.13)
Locating bore	mm (in)	25.4 (1) / 25.4 (1) / 25.4 (1)
Maximum cutting depth	mm (in)	100 (3.9) / 125 (4.9) / 150 (5.9)

Diamond cutting blades for concrete materials:

Diameter	mm (in)	300 (12) / 350 (14)
Thickness	mm (in)	2.4 (0.9) / 2.8 (0.11)
Locating bore	mm (in)	25.4 (1) / 25.4 (1)
Maximum cutting depth	mm (in)	100 (3.9) / 125 (4.9)



JCB Vibromax Compaction Equipment GmbH, PO Box 230149, 40087 Düsseldorf, Germany, Erkrather Straße 343, 40231 Düsseldorf, Germany. Tel: +49 (0) 2 11 - 9 86 63. Fax: +49 (0) 2 11 - 9 86 65 55. Web: <http://www.jcbvibromax.de>

JCB Vibromax America Inc, 2823 Carlisle-Avenue, Racine, WI, 53404, USA. Tel: +1 262-637-8111. Fax: +1 262-637-8211.

JCB Vibromax Singapore, Representative Office, 72 Pasir Ris Heights, Singapore 519279. Tel: +65 6583 8297. Tel: +65 6583 8301.

JCB cares for the environment. This paper has been produced without the use of elemental chlorine chemicals in the bleaching process.

JCB reserves the right to change specifications without notice. Illustrations shown may include optional equipment and accessories. The JCB logo is a registered trademark of J C Bamford Excavators Ltd.



9999/5164 11/05 Issue 1

A Product
of Hard Work